

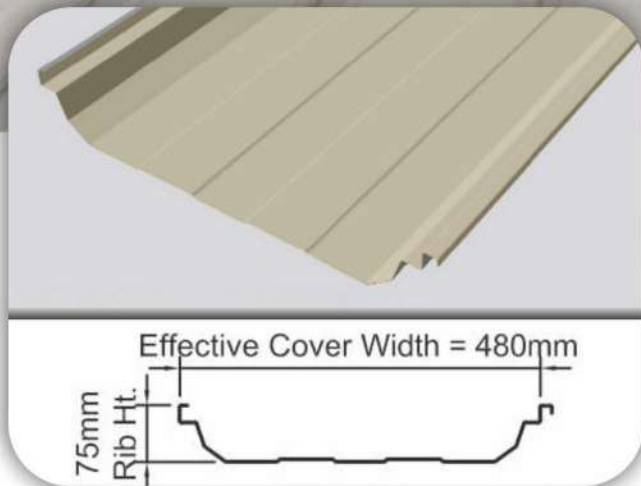


# LCP LYCORZIP<sup>®</sup>

The most secure double-lock standing seam roofing profile **LCP LYCORZIP<sup>®</sup>** with latest design sliding clip providing better thermal movement.

## Metal Standing Seam Roofing System

Introducing our new LCP LYCORZIP<sup>®</sup> profile



**01** A mechanical 360° standing seam profile with concealed clip fixing allowing free movement under thermal expansion.

Roofing Panels installed with double-lock standing seam using concealed fix clips with no pierce fixing of the roof sheet. **02**

Single roofing sheet length from Ridge to Eaves with containerised on-site roll-forming capability ensuring sheet integrity and inherent weather-tightness. **03**

Standing Seam profile is produced in Galvalume Steel & Color Coated Galvalume Steel. **04**



## 01 FEATURE

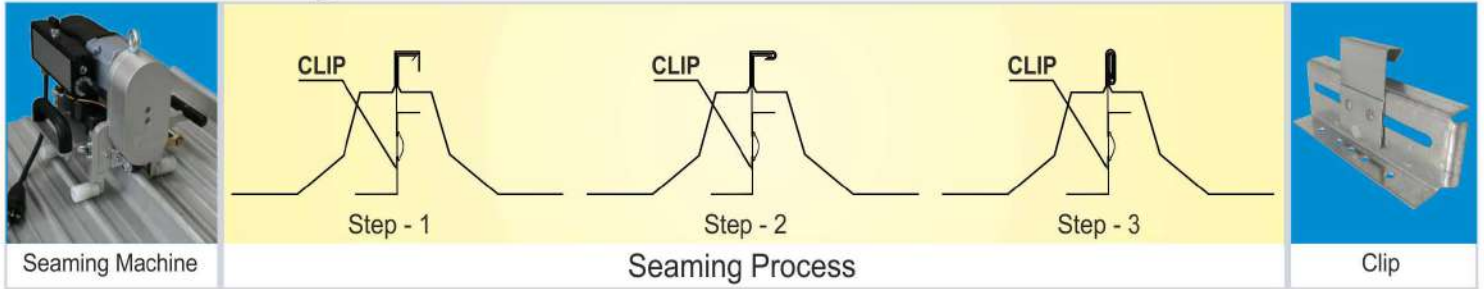
**LCP LYCORZIP®** standing seam roof system is a formed material without joints with panels joined together with a double-lock standing seam, and fastened to the Purlins with clips formed into the seam

**LCP LYCORZIP®** standing seam roof profile panels of 480mm effective cover width having crest height of 75 mm is mechanically seamed with heavy duty electric portable roll-forming machine to withstand wind uplift and foot traffic

**LCP LYCORZIP®** standing seam roof system is an exceptional water proofing roof system due to its high ribs. Minimum roof pitch of 2° is recommended, subject to support spacing and structural tolerance with purlin and roof plane correctly aligned



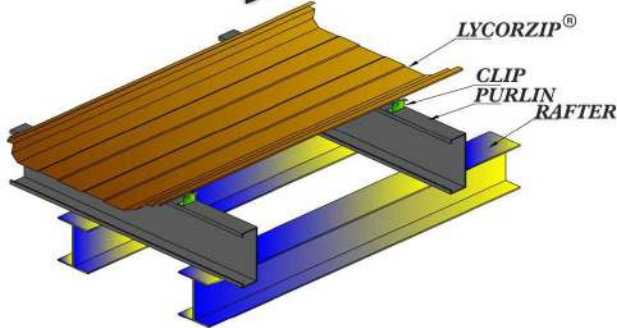
## 02 SEAMING PROCESS



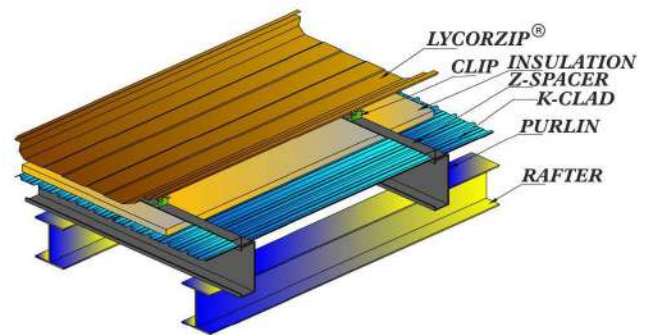
## 03 CHOICE OF MATERIAL

The strength and formability of steel makes it an ideal material for roof panels. **LCP LYCORZIP®** is a cold roll formed roofing profile manufactured from G300 steel grade material (300 MPa minimum yield stress), with Galvalume steel (zinc & aluminium alloy) coating and Color coated Galvalume Steel.

## 04 LAYING



Single-skin Roof System



Double-skin Roof System

## 05 TECHNICAL SPECIFICATION

Description	GALVALUME STEEL	PRE-PAINTED GALVALUME STEEL
Base Metal Thickness (BMT)	0.55 mm	0.55 mm
Total Coated Thickness(TCT)	0.60 mm	0.60 mm
Metallic Coating (Ai-Zn)	150g/m2	150g/m2
Grade	300MPa	300MPa
Mass	5.72 Kg/m2	5.78 Kg/m2



### LCP BUILDING PRODUCTS PVT. LTD.

(Co. No. U28112 TN2004 PTC053236)

City Office & Sales : Old No. 6, New No. 14, 4th Floor,  
Viswanathapuram Main Road, Kodambakkam,  
Chennai – 600 024, Tamilnadu, India.  
Tel / Fax: +91-44-2989 2772

Registered Office & Factory : Plot No.F88-F92, SIPCOT Industrial Part,  
Irungattukottai - 602 105, Tamil Nadu, India.  
Tel : +91-44-27190747, 27156163, 27156158 | Fax : +91-44-47193053  
Website:www.lcpindia.com

### LCP BUILDING PRODUCTS PTE.LTD.

Co.No.200009173 C

6 Gul Circle, Singapore 629 562  
Tel : (65) 6865 - 1550 | Fax : (65) 6861 -4218  
Email : lcp@lcp.sg | website: www.lcp.sg

A member of LCP Group of Companies

**IMPORTANT NOTE** : The information published in this brochure is as far as possible accurate at the date of publication, however, prior to application in a particular situation, LCP Building Products Pvt Ltd. recommends that you obtain qualified expert advice confirming the suitability of product(s) in question for the application proposed. While LCP Building Products Pvt Ltd. accepts its legal obligations, be aware however that to the extent permitted by law, LCP Building Products Pvt. Ltd. disclaims all liability (including liability for negligence) for all loss and damage resulting from the use of the information provided in this flyers.

Photographs of the premises displayed in this flyers are not to be construed as an endorsement or recommendation by the owners of the premises to LCP and its products.

LCP LYCORZIP® Flyer 05/2018 LCP Building Products Pvt Ltd. All rights reserved.

